

ARKETIPO / DIVANI-EN

MAYFAIR

designed by Dainelli Studio 2017



STRUCTURE: wood.

STRUCTURE UPHOLSTERY: expanded polyurethane of varied densities (D30P + D70 + 30FR + 18 elastic) covered with synthetic lining 150gr coupled with the cover of the sofa.

SEAT CUSHION UPHOLSTERY: expanded polyurethane of varied densities (D30P + 35 PRF + memory foam) covered with white cotton and coupled synthetic lining. The upper part of the cushion is made by 100% downproof twilled cotton cover filled with virgin goose feathers.

SPRINGING: elastic belts.

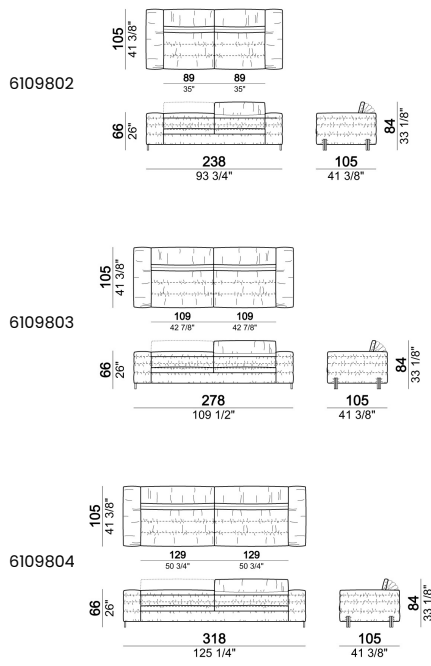
SEAT HEIGHT: 42 cm

ARM HEIGHT: 66 cm

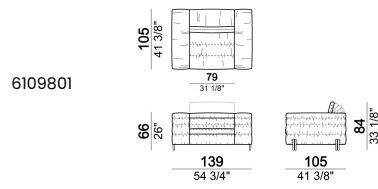
FEET: metal, finishes: titanium or brass or varnished micaceous brown or oxy grey, h.10 cm.

ATTENTION: only the seat cover is removable. The cover is available in velvet (our collections "Vellù" and "Vellù pl" or velvet supplied by the client) or in leather. C.O.L. (customer own leather): maximum thickness 1,3 mm.

Sofa



Armchair



Pouf

