

ARKETIPO / DIVANI-EN

PLAT

designed by Manzoni e Tapinassi 2004



STRUCTURE: varnished metal.

FRAME UPHOLSTERY: multi-density expanded polyurethane (D32PH+D30) covered with synthetic lining.

SEAT CUSHION UPHOLSTERY: multi-density expanded polyurethane (D40-memory foam) covered with synthetic lining (Cotherme).

BACK CUSHION UPHOLSTERY: expanded polyurethane D30 covered with Dacron 350gr and white cotton lining.

ROLL UPHOLSTERY: expanded polyurethane covered with coupled synthetic lining 180gr.

SPRINGING: electrowelded mesh.

SEAT HEIGHT: 40 cm – 44 cm with feet h.8 cm.

ARM HEIGHT: 54 cm.

FEET: plastic h.4 cm. The height of the foot can be made 8 cm on request, without extra charge.

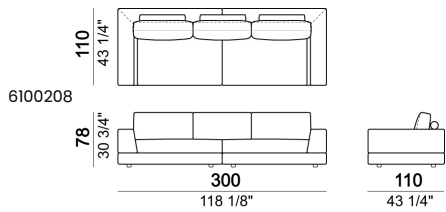
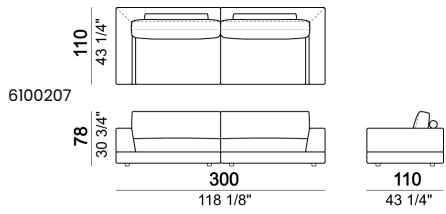
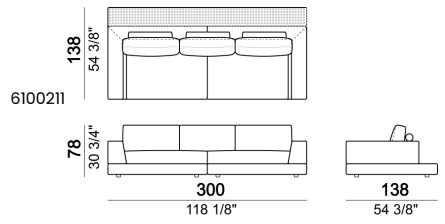
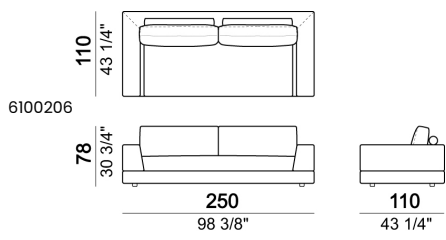
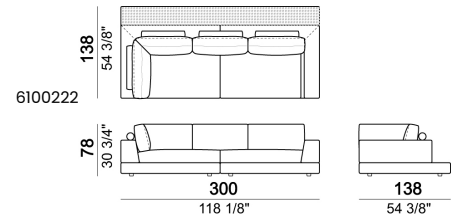
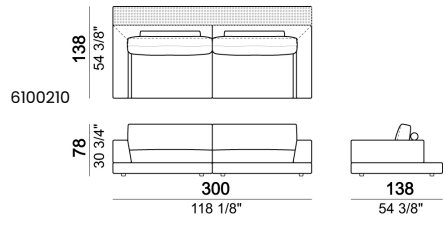
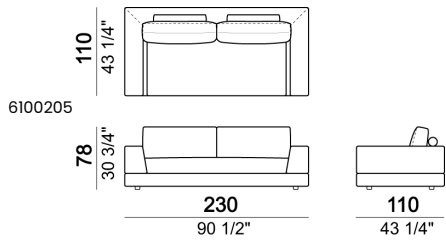
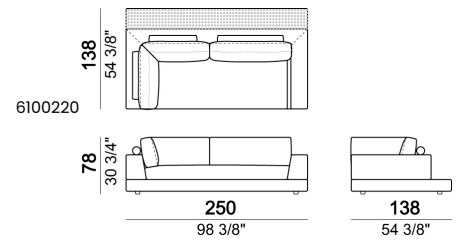
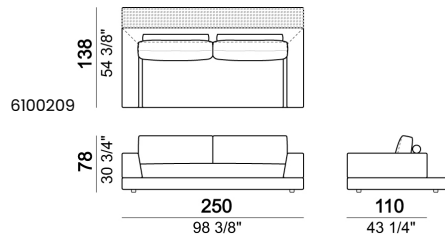
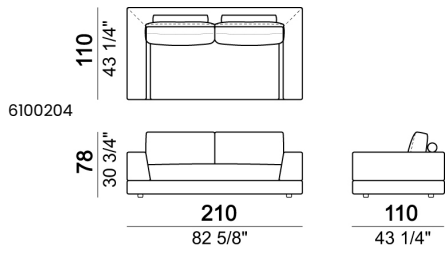
ACCESSORIES: bookshelves and trays in marble or in smoked glass.

Metal parts of the marble bookshelves: micaceous brown, oxy grey or black nickel.

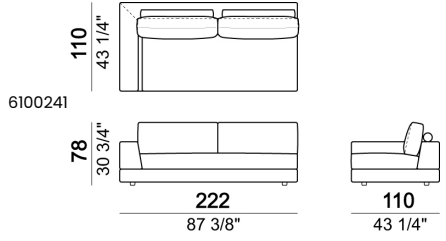
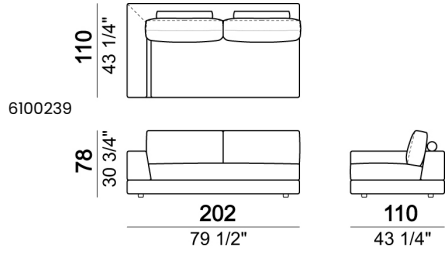
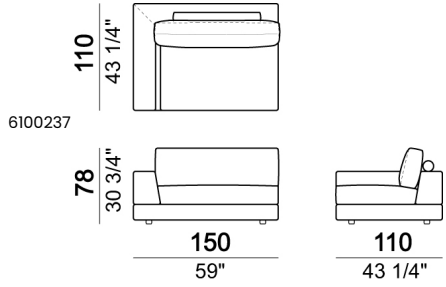
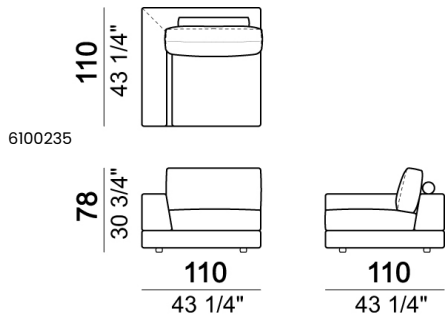
Sofa

Sofa with back plat - depth 138 cm.

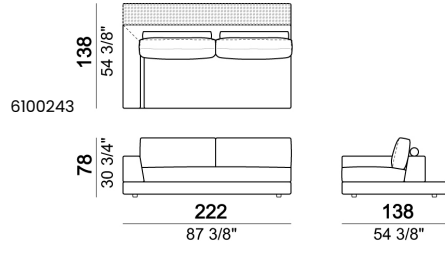
Right or left corner sofa with back plat - depth 138 cm.



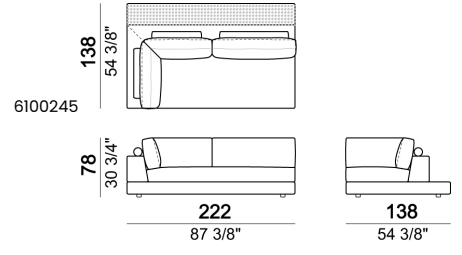
Right or left unit



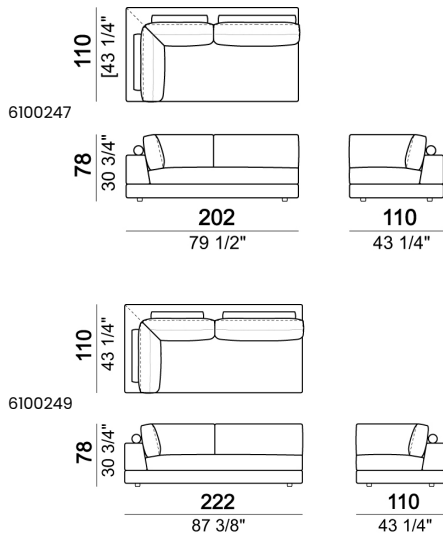
Right or left unit with back plat - depth 138 cm.



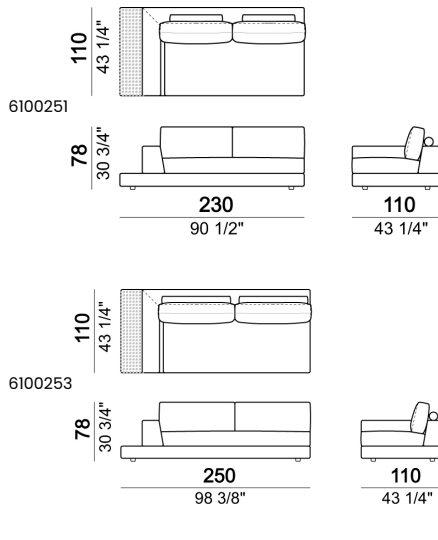
Right or left corner unit with back plat - depth 138 cm.



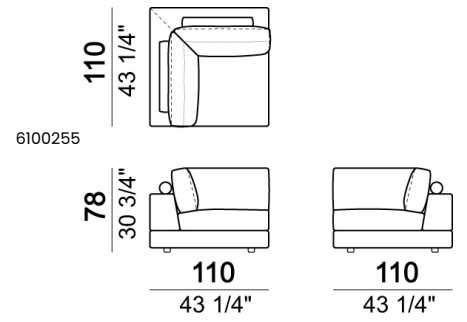
Right or left corner unit



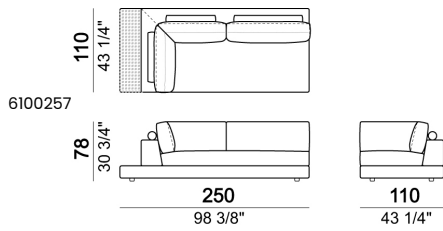
Unit with right or left arm and plat



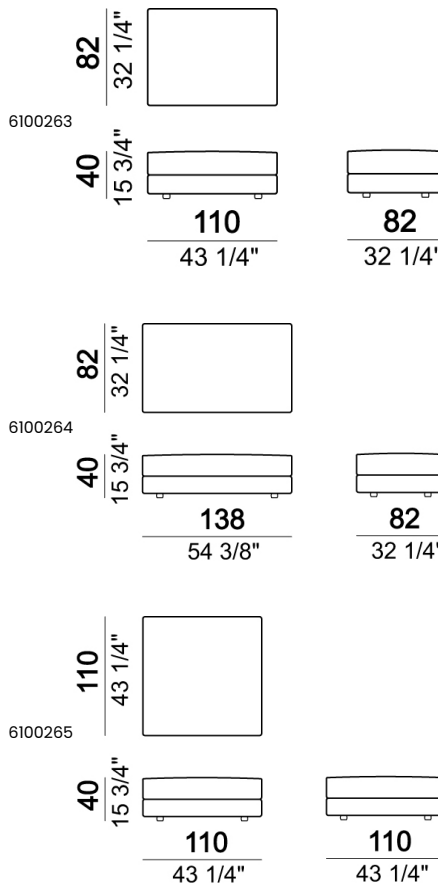
Square corner



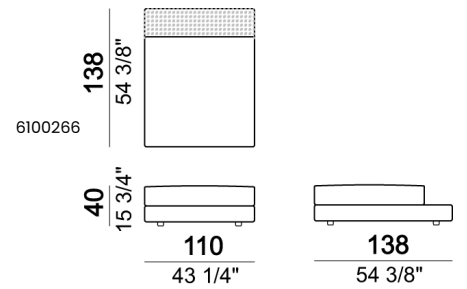
Right or left corner unit with plat



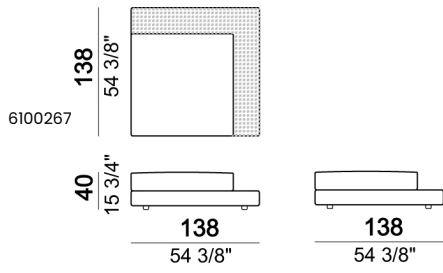
Pouf



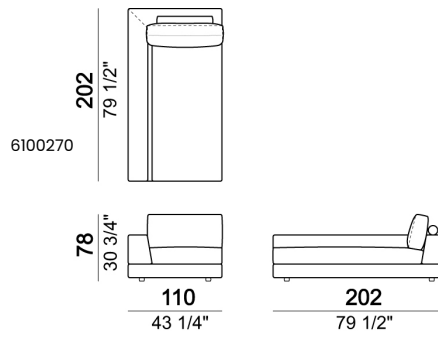
Pouf with side plat



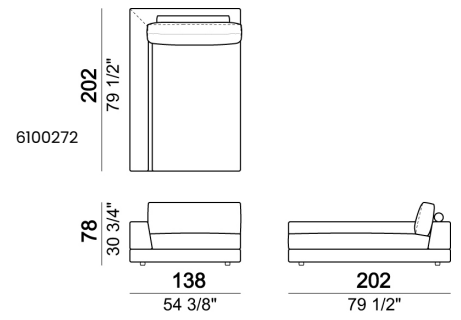
Pouf with corner plat



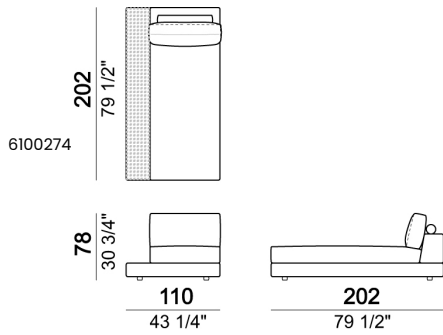
Relax unit type A 110 cm with right or left full arm



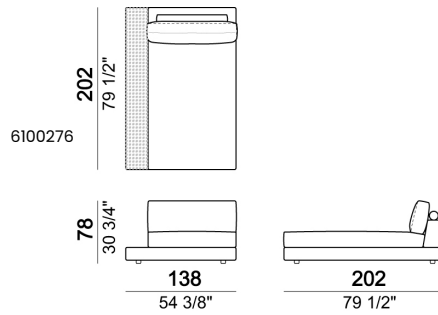
Relax unit type A 138 cm with right or left full arm



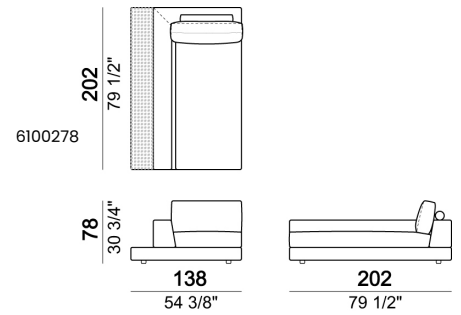
Relax unit type B 110 cm with right or left plat



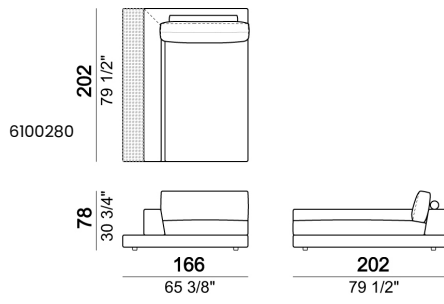
Relax unit type B 138 cm with right or left plat



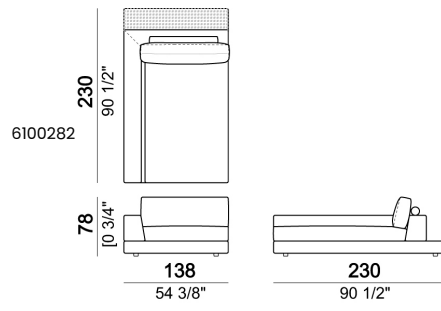
Relax unit type C 138 cm with right or left full arm and right or left plat.



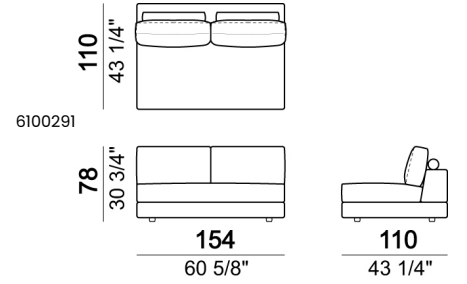
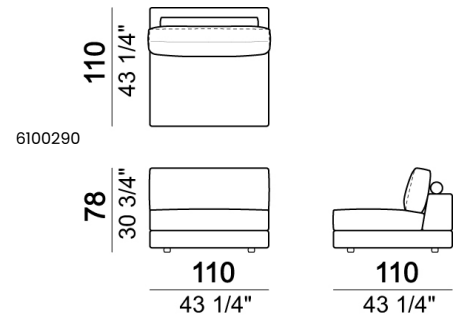
Relax unit type C 166 cm with right or left full arm and plat



Relax unit type D 138 cm with right or left full arm and back plat.



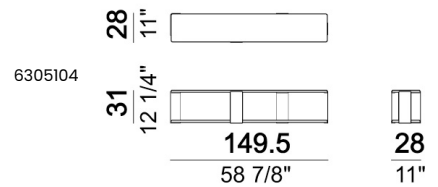
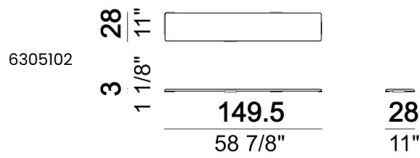
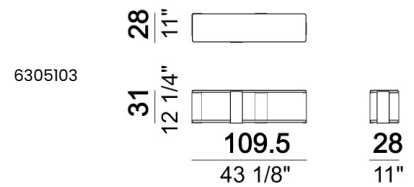
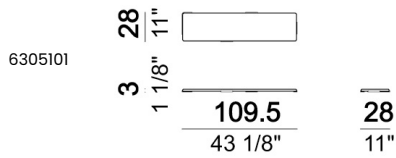
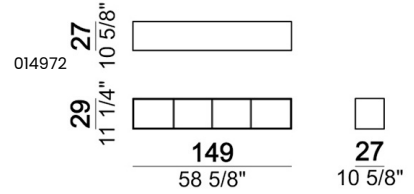
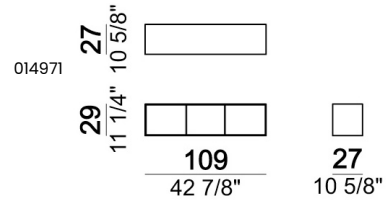
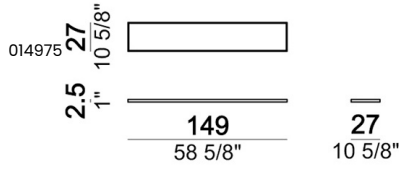
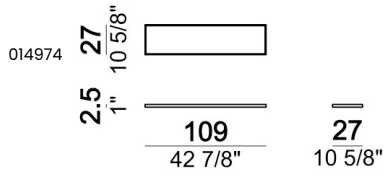
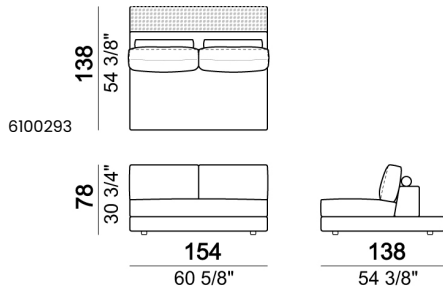
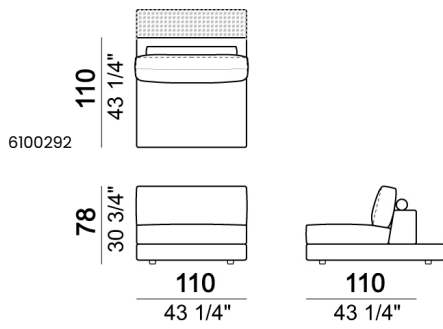
Central unit



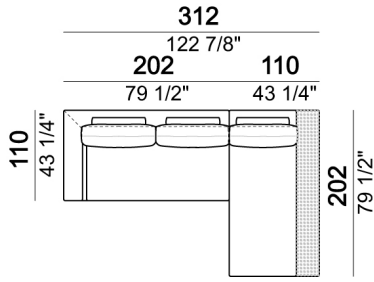
Central unit with back plat - depth 138 cm.

Tray

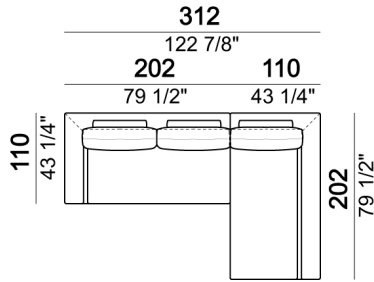
Bookshelf



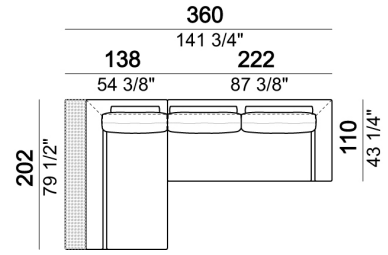
Composition "A" (Relax unit type B 110 cm with right plat + left unit 202 cm).



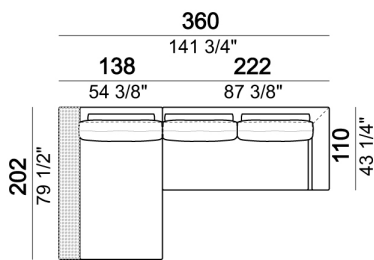
Composition "B" (Relax unit type A 110 cm with right full arm + left unit 202 cm).



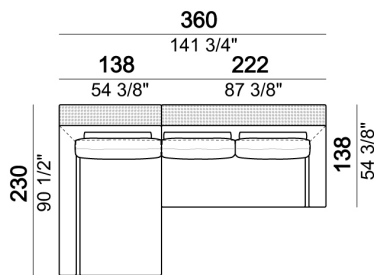
Composition "C" (Relax unit type C 138 cm with left full arm and plat + right unit 222 cm).



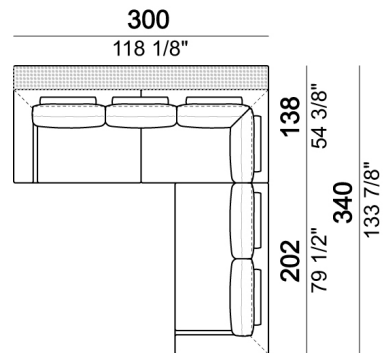
Composition "D" (Relax unit type B 138 cm with left plat + right unit 222 cm).



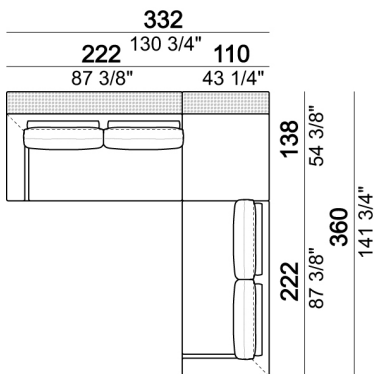
Composition "E" (Relax unit type D 138 cm with left full arm and back plat + right unit 222 cm with back plat - depth 138 cm).



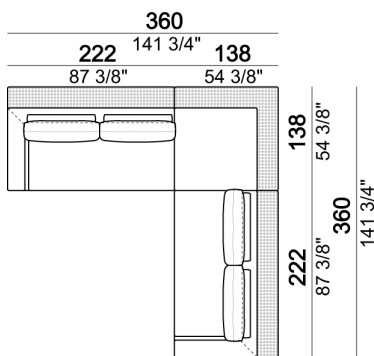
Composition "G" (Right corner sofa with back plat - depth 138 cm + right unit 202 cm).



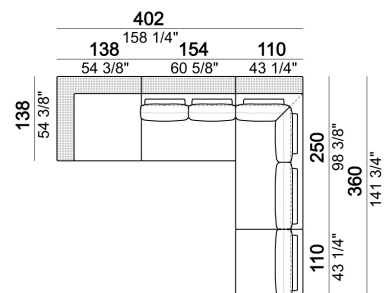
Composition "H" (left unit 222 cm with back plat - depth 138 cm + right unit 222 cm + pouf with side plat).



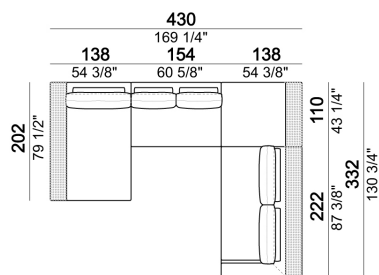
Composition "I" (Right unit 222 cm with back plat - depth 138 cm + left unit 222 cm with back plat - depth 138 cm + pouf with corner plat).



Composition "L" (left corner unit 250 cm with left plat + pouf with corner plat + central unit 110 cm + central unit 154 cm with back plat).



Composition "M" (right unit 222 cm with back plat - depth 138 cm + pouf with side plat + central unit 154 cm + Relax unit type B 138 cm with left plat).



Composition "N" (left unit 222 cm with back plat - depth 138 cm + pouf with side plat + Relax unit type D 138 cm with right full arm and back plat).

