

ARKETIPO / COMPLEMENTI-EN

WALL STREET

designed by Mauro Lipparini 2023

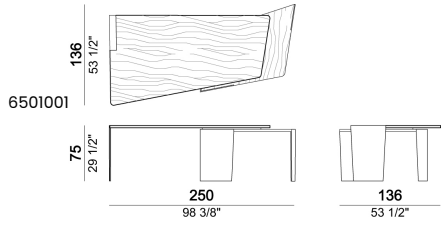
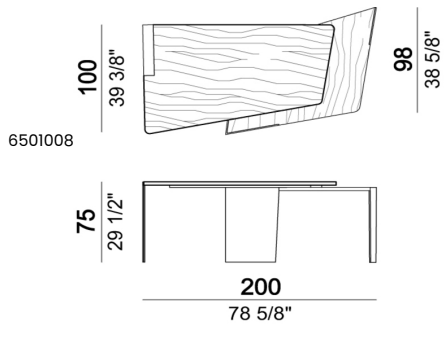


TOP: MDF veneered in zebrano or thermo-treated eucalyptus.

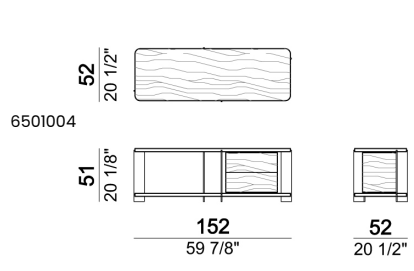
METAL PARTS: Micaceous brown or oxy grey varnished or magnesium textured (silver grey).

PAD: leather Leonardo, Dirt and Tribe

Executive desk



Console chest of drawers



PAD

